



Carmex
Precision Tools Ltd.

x-treme thread cutting™

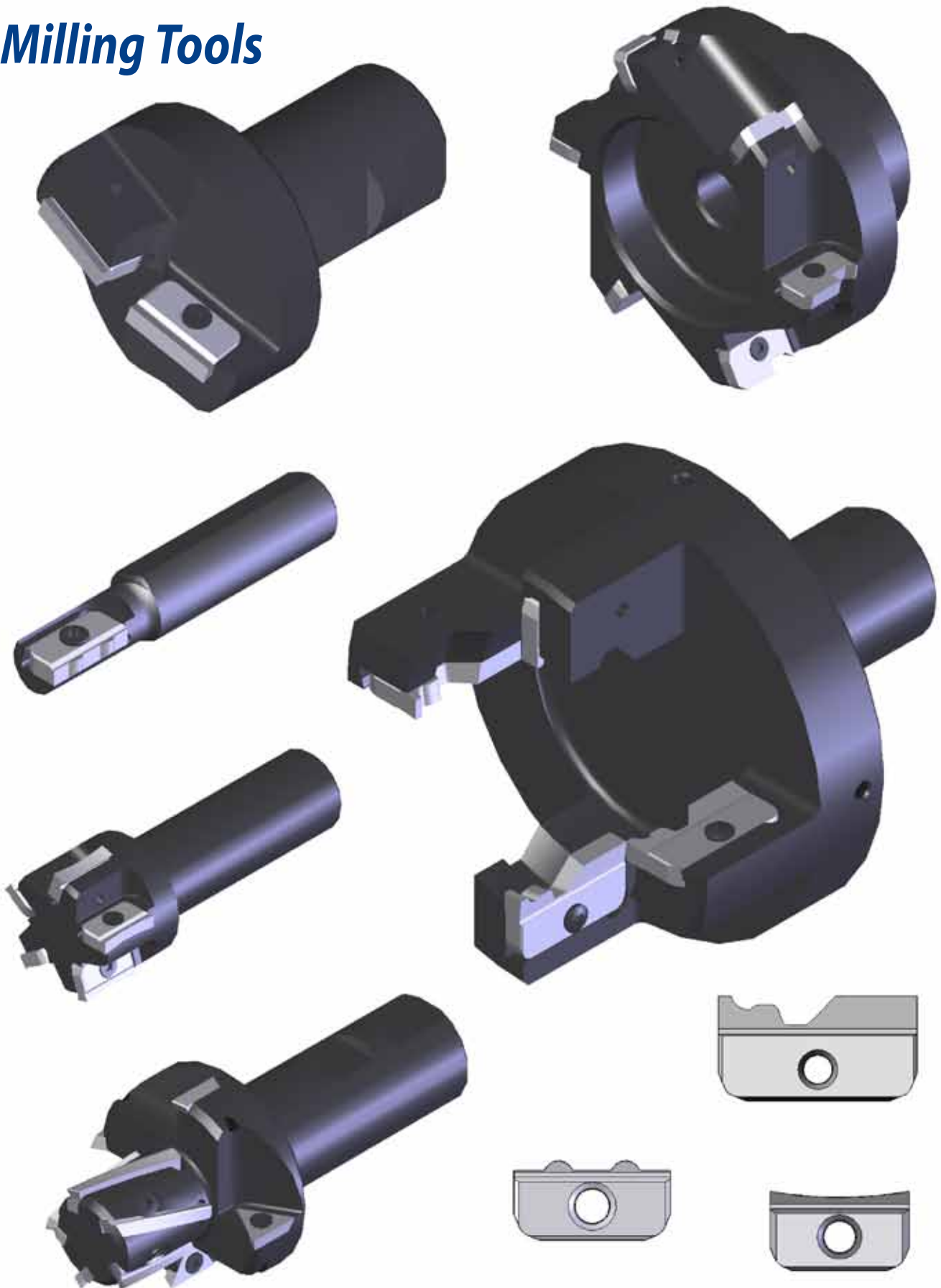
Solid Carbide Special Tools

Individual solutions for your machining problems

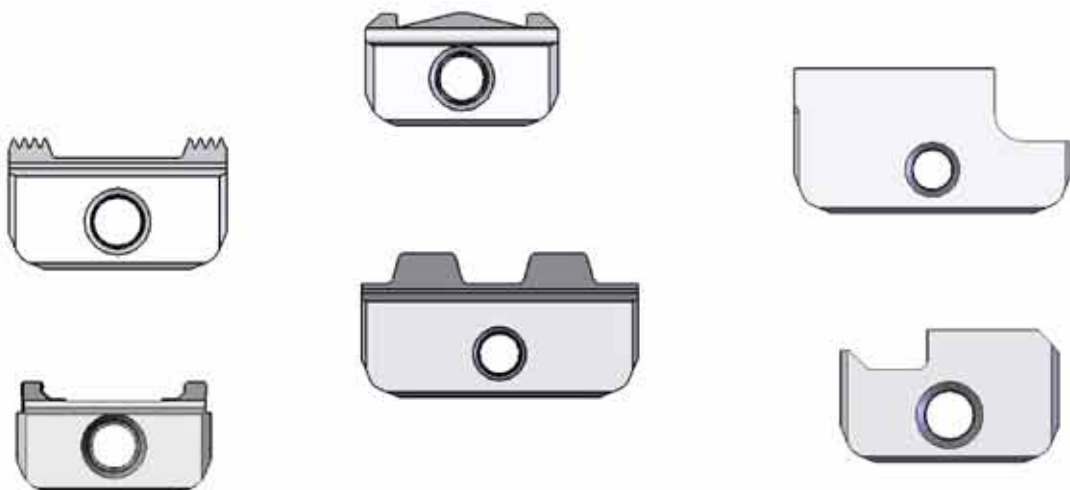


2013-14

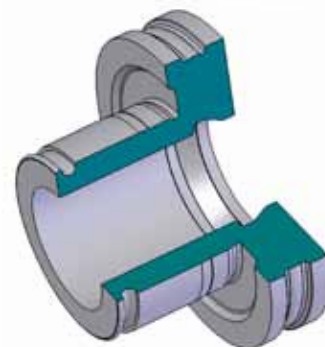
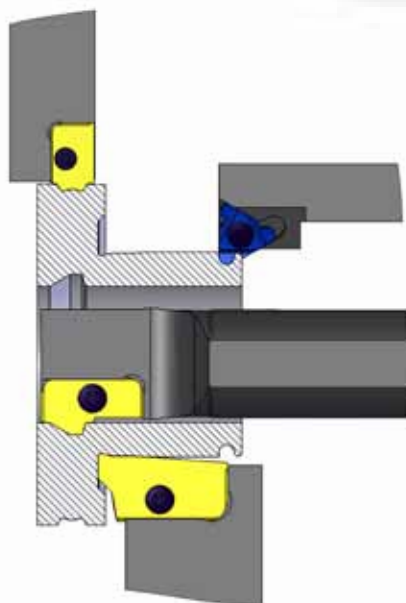
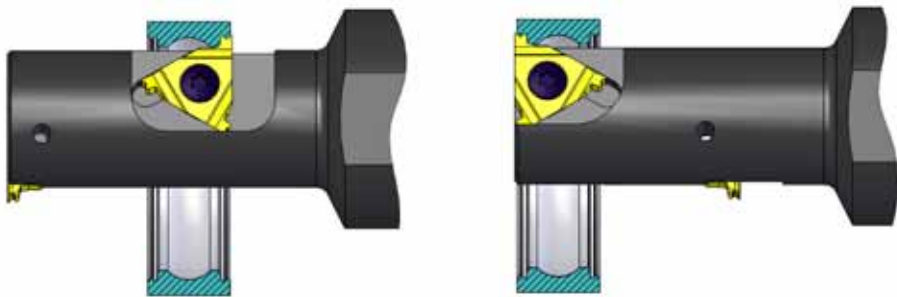
Milling Tools



Milling Tools



Inserts



1st Hacharoshet St., Maalot Industrial Zone 2101302, ISRAEL
Tel: (972) 4-9077400, Fax: (972) 4-9077440.
E-mail: info@carmex.com Website: www.carmex.com
Postal address: P.O. Box 404, Maalot 2101302, ISRAEL.